

Order No. **V3260BSPT-02**
 Description: **WS2 SIDE MOUNT BASE BSPT ASY**

Drawing No.	Order No.	Description	Quantity
1	V3280	O-RING 332	1
2	V3260BSPT-01	WS2 SIDE MOUNT BASE BSPT	1

ATTENTION
ACHTUNG – ВНИМАНИЕ - ATENCIÓN

WS2QC Not Shown

HYDROCARBONS SUCH AS VASELINE®, PETROLEUM JELLY, KEROSENE, BENZENE, GASOLINE, ETC., WILL DAMAGE PRODUCTS THAT CONTAIN O-RINGS OR PLASTIC COMPONENTS. EXPOSURE TO SUCH HYDROCARBONS MAY CAUSE THE PRODUCTS TO LEAK. DO NOT USE CLACK CONTROL VALVE PRODUCT(S) ON WATER SUPPLIES THAT CONTAIN HYDROCARBONS SUCH AS KEROSENE, BENZENE, GASOLINE, ETC.

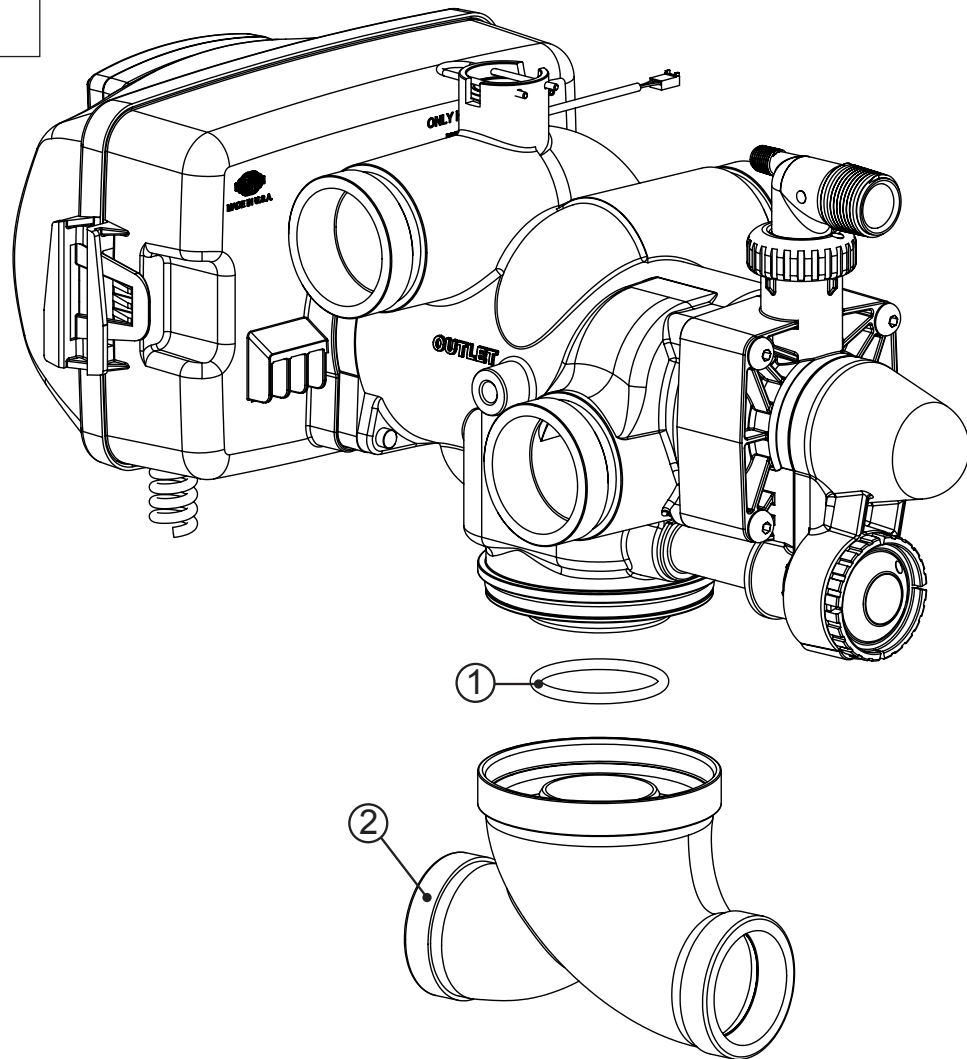
When using a side mount base with WS2QC & WS2H BSPT valves, replace distributor pilot o-ring V3452 O-RING 230 with V3280 O-RING 332.

Lorsque vous utilisez un montage latéral base avec WS2QC & WS2H BSPT soupapes, remplacer le distributeur pilote joint torique V3452 O-RING 230 avec V3280 O-RING 332.

Wenn Sie eine Seite mit mount base WS2QC & WS2H BSPT Ventile, ersetzen Distributor Pilot O-Ring V3452 O-RING 230 mit V3280 O-RING 332.

При использовании стороне горы базы с WS2QC & WS2H BSPT клапанов, заменить дистрибьютора экспериментальных о-кольцо V3452 O-РИНГ 230 с V3280 O-РИНГ 332.

Quando se utiliza una base de montaje laterales con WS2QC & WS2H BSPT válvulas, sustituir distribuidor piloto o-anillo V3452 O-RING 230 con V3280 O-RING 332.



NSF
 COMPONENT
 This product is Tested and Certified by NSF International against NSF/ANSI/CAN Standard 61 for material requirements and NSF/ANSI/CAN 372.